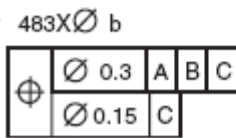
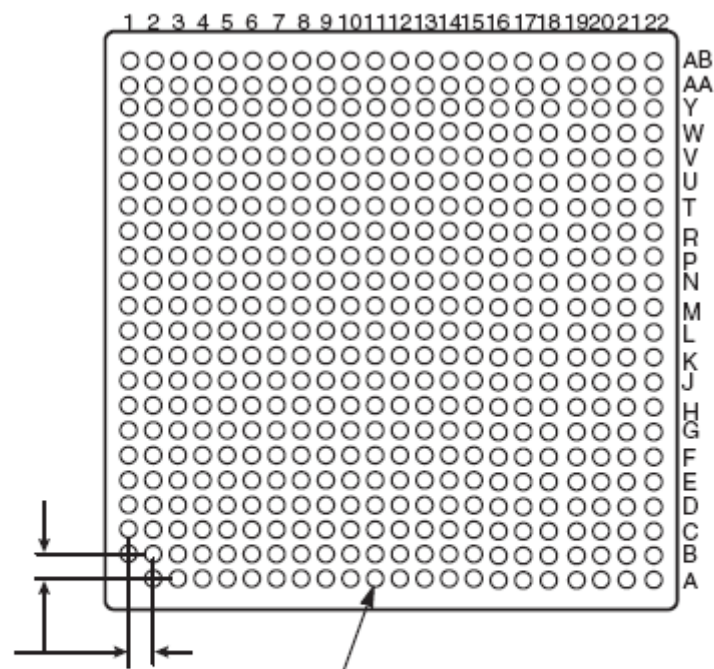
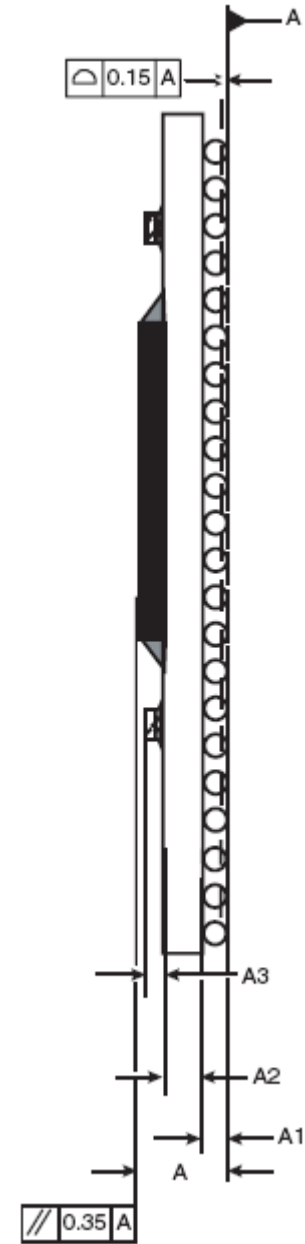
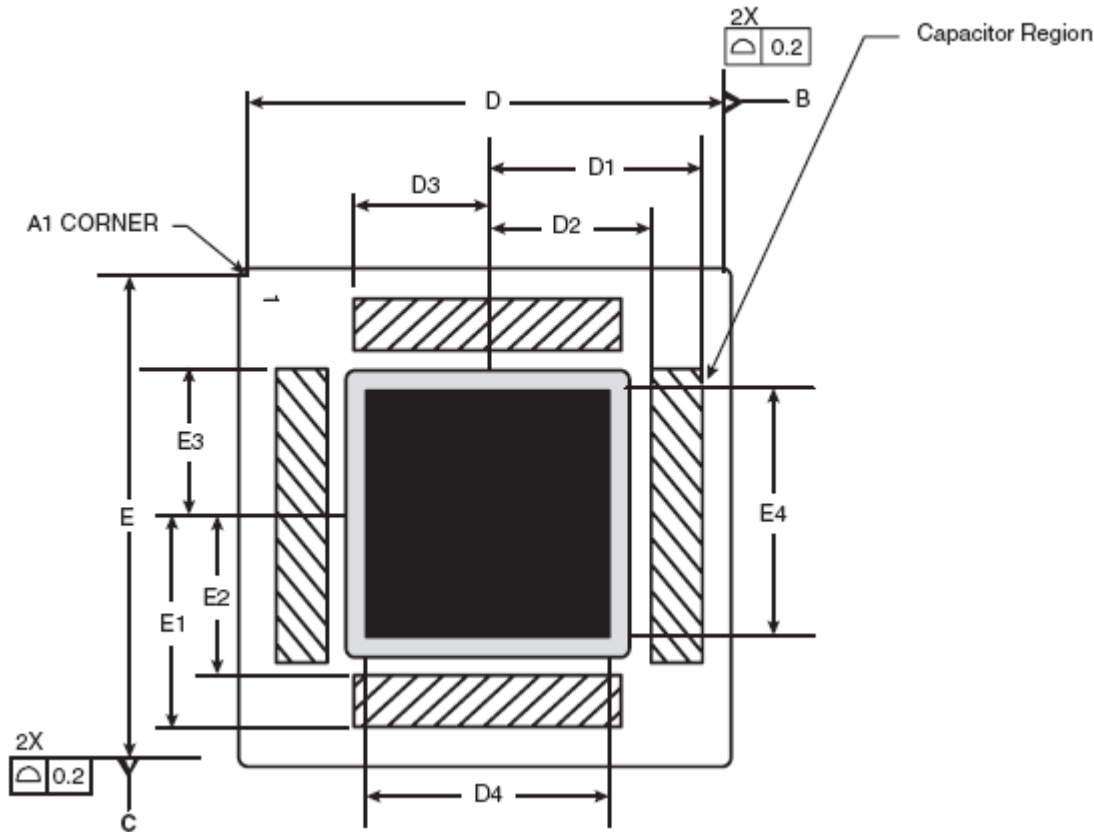


# Package Mechanical Data

483 CBGA Package



Millimeters		
DIM	MIN	MAX
A	2.32	2.80
A1	0.4	0.6
A2	1.10	1.30
A3	-	0.6
b	0.6	0.9
D	29 BSC	
D1	-	12.5
D2	8.5	-
D3	-	8.4
D4	10.9	11.1
e	1.27 BSC	
E	29 BSC	
E1	-	12.5
E2	8.5	-
E3	-	8.4
E4	9.55	9.75

