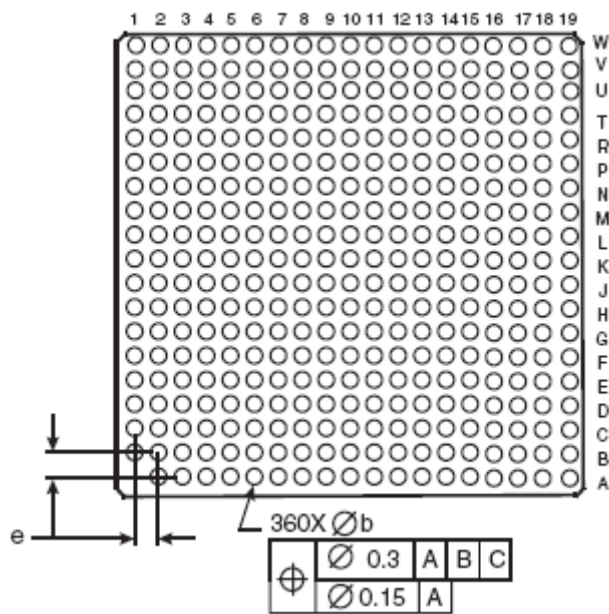
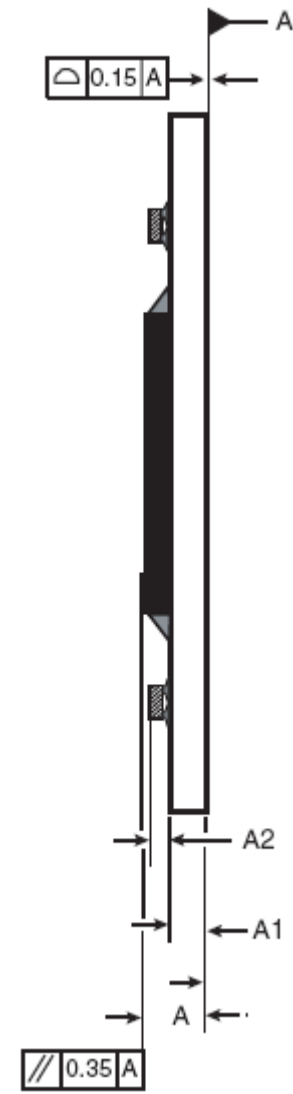
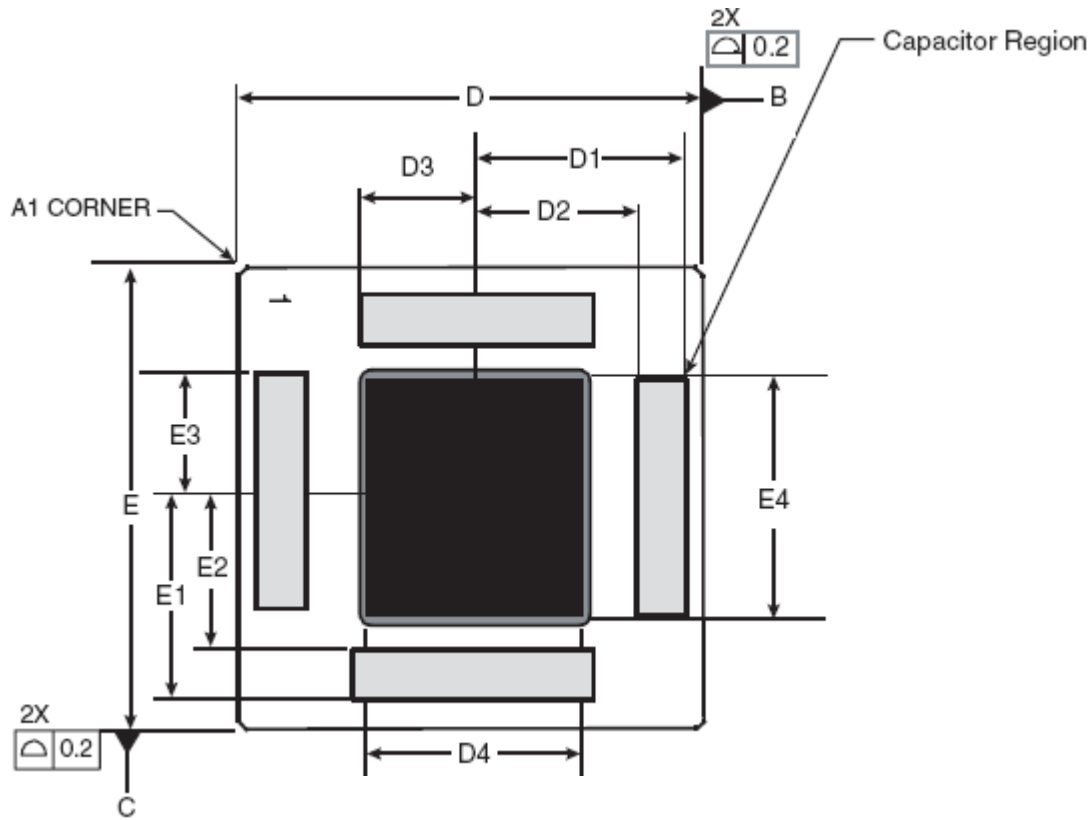


Package Mechanical Data

360 HiTCE LGA Package



- Notes:
1. Dimensioning and tolerance per ASME Y14.5M, 1994.
 2. Dimensions in millimeters.
 3. Top side A1 corner index is a metalized feature with various shapes. Bottom side A1 corner is designated with a pad missing from the array.

Dim	Millimeters	
	Min	Max
A	1.52	1.80
A1	0.70	0.90
A2	–	0.6
b	0.82	0.93
D	25 BSC	
D1	–	11.3
D2	8	–
D3	–	6.5
D4	7.2	7.4
e	1.27 BSC	
E	25 BSC	
E1	–	11.3
E2	8	–
E3	–	6.5
E4	7.9	8.1